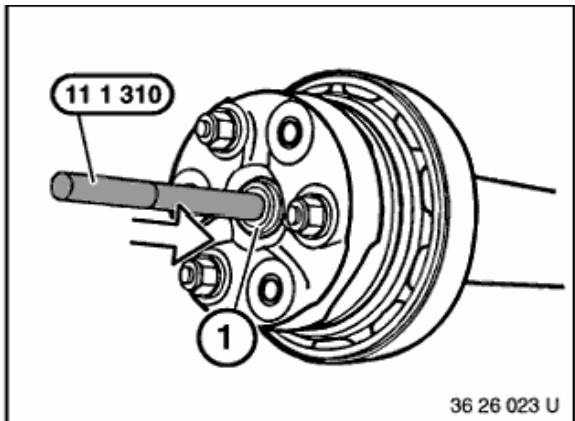


Remove propeller shaft,  
refer to 26 11 000.



Completely fill center bore with viscous grease.

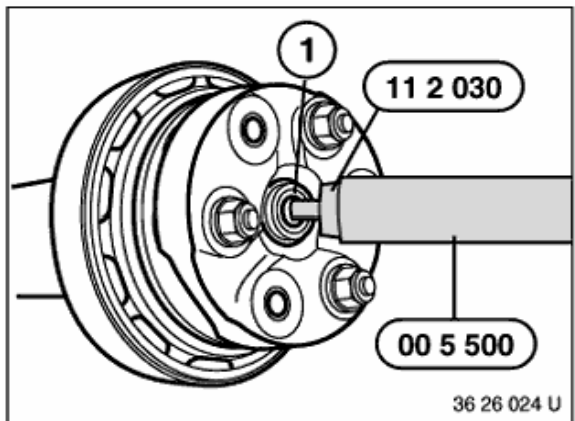
Drive special tool 11 1 130 into center bore with a plastic hammer.

The center mount is forced out by applying pressure to grease fill (1).

If necessary, top up grease repeatedly.

**Note:**

To drive out the mount, you can also fill the centering bore with water instead of grease.



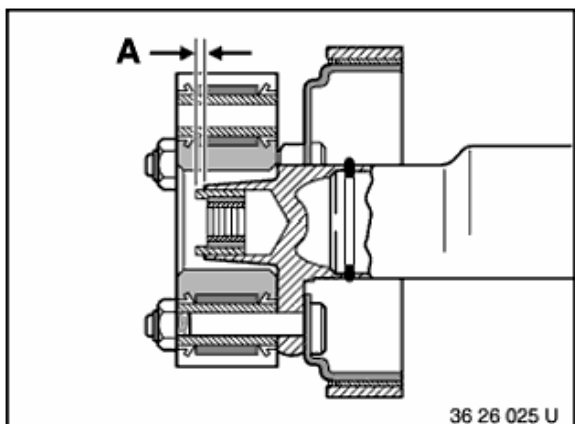
Remove grease or water from mount bore.

Drive in center mount (1) with special tools 00 5 500 and 11 2 030 up to protrusion (A).

**Note:**

Apply Molykote Longterm 2 grease to center mount (1), refer to BMW Parts Service.

Lubricant volume: approx. 2 g.



**Installation:**

Overlap A =  $4.5^{+0.2}$  mm